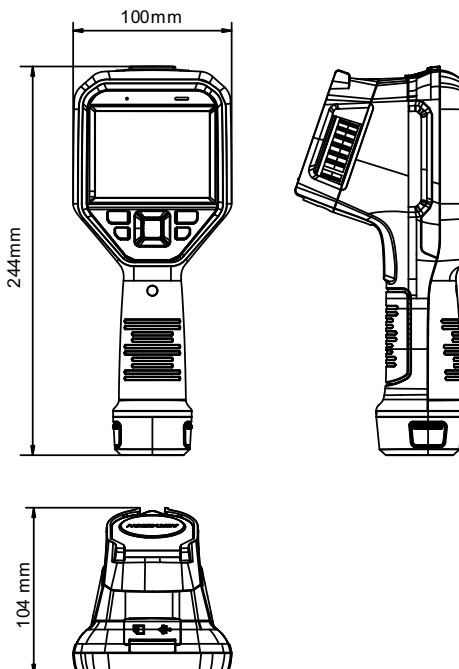


FEATURES

- 160 x 120 resolution.
- Thermographic accuracy up to +/- 0.5°C.
- 640 x 480 resolution 3.5" LCD display.
- Built-In rechargeable Li-Ion battery.
- Up to 8 hours continuous operation.
- Detects real-time temperature and display on the screen and live view on PC or external monitor.
- Support audio intercom, color highlight alarm and audible alarm.
- Dual thermal and 8MP optical sensor.

The handheld thermography camera is specifically designed for body temperature measurement. It is equipped with a 160 x 120 resolution thermal sensor with narrow high accuracy sensing to enable the detection of slight changes of the body temperature to detect fever.

DIMENSIONS



Technical Specifications

Parameter		HTC1612i
		Thermographic Handheld Camera
Thermal Module	Image sensor	Uncooled Focal Plane Arrays
	Resolution	25Hz: 160 × 120
	Pixel Pitch	17μm
	Response waveband	8μm to 14μm
	NETD	< 40 mk (@ 25 °C, F#=1.0)
	Field of View	25° × 18.7°
	Focal length	6.2 mm (Manual focus)
Optical Module	I FOV	2.74 mrad
	Aperture	F 1.1
	Picture Resolution	Configurable: 2 MP, 5 MP, 8 MP
	Video Resolution	640 × 480
Image Display	Monitor	640 × 480 resolution 3.5" LCD touch display
	Palettes	Black hot, White hot, Red hot, Rainbow, Ironbow, Fusion, Rain
	Digital Zoom	Thermal: 1×, 2×, 4×
	Thermal / Optical	Thermal/Optical/Fusion image/Picture in picture
	Picture in Picture	Support Thermal View in Optical View
	Fusion	Support (Thermal View and Optical View Combined)
	Record Video	Support on-board video recording
Thermography	Rules	Max. Temperature; Min. Temperature; Center Temperature; Custom Point/Line/Area Thermography
	Range	30°C to 45°C
	Accuracy	±0.5° C
Battery	Battery Type	Dismountable and rechargeable Li-ion Battery
	Battery Operating Time	5 hours in normal temperature, with Wi-Fi, Bluetooth, and supplement light off. 4 hours in normal temperature, with Wi-Fi, Bluetooth, and supplement light on.
	Storage	Built-in memory module (16 G)
Features	Photo	Thermal/Optical/Fusion image
	Video	Thermal/Optical/Fusion image
	Wi-Fi	Support
	Text & Voice Comment	Support
	Language	English
General	Power Requirements	5 VDC/2 A, Max. 4.5W
	Hardware Interface	Type-C Interface
	Working Temperature	15°C to 35 °C
	Protection level	IP54
	Drop Test Height	2 m
	Dimension	244 × 100 × 104 mm
	Weight	With Battery: 653 g Without Battery: 511 g