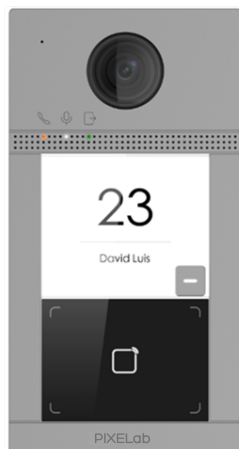


Metal Villa Door Station

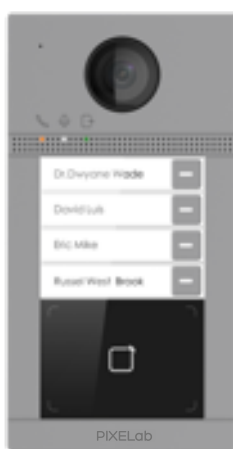
- Standard PoE
- 2 MP HD camera
- Noise suppression and echo cancellation
- Low illumination
- Access control functions
- Tamper-proof
- Configuration remotely via Web
- 2.4 GHz Wi-Fi
- Protection level: IK08



VIC201DAW/F



VIC202DAW/F



VIC204DAW/F

Technical Specifications

System Parameters

	VIC201DAW/F	VIC202DAW/F	VIC204DAW/F
Operation system	Embedded Linux operation system		
Operation method	1 - button	2 - button	4 - button
Flash	32 M		
RAM	256 M		

Video Parameters

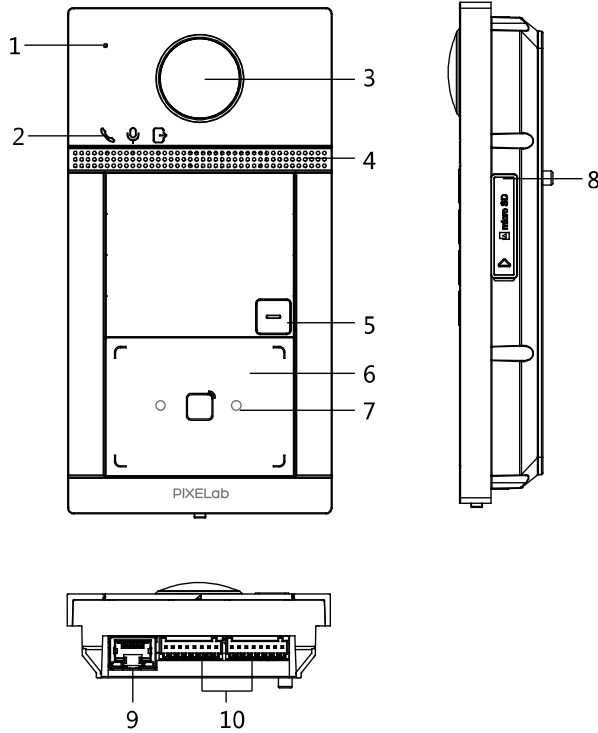
Camera	2MP HD camera		
Night vision	Low illumination, IR supplement mode: 3m		
BLC	Support		
DNR	Support		
WDR	True WDR		
FOV	Horizontal: 129°, Vertical : 75°		
Video compression standard	H.264		
Stream	Main stream: 1080p@30fps, 720p@25fps ; Sub stream: D1@25fps		
Resolution	Main stream: 1920 x 1080, 720p ; Sub stream: 720 x 576	Main stream: 1920 x 1080, 720p ; Sub stream: 704 x 576	
Motion detection	Support		
Anti-flicker frequency	50 Hz, 60 Hz		

Audio Parameters

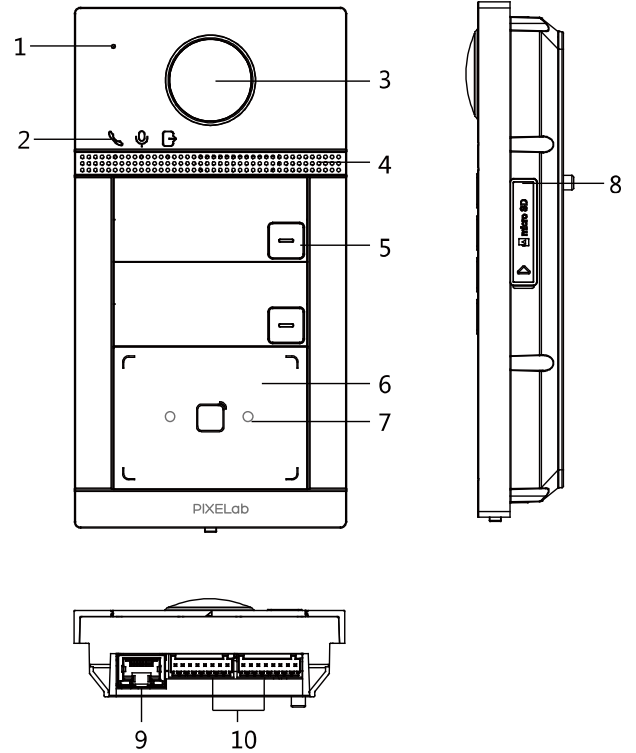
Audio input	Built-in omnidirectional microphone		
Audio output	Built-in loudspeaker		
Audio intercom	Two-way audio communication		
Audio compression rate	64 Kbps		
Audio compression standard	G.711 U		
Audio quality	Noise suppression and echo cancellation		

Technical Specifications	VIC201DAW/F	VIC202DAW/F	VIC204DAW/F
Network parameters			
Wired network		10/100 Mbps Ethernet	
Network protocol		TCP/IP, RTSP	
Access control parameters			
Reading frequency		13.56 MHz	
Card type		Mifare card	
Device interfaces			
RS-485		1	
Wi-Fi		2.4G Wi-Fi	
Debugging port		1	
TF card		0	
Door contact input		2	
Exit button input	—	2	
Grounding		1	
Physical button	1	2	4
TAMPER switch		1	
Door control		2, breakdown voltage: 36V	
Performance			
Card capacity		Max. 10,000	
User capacity		Max. 2,000	
Linked indoor station		Max. 4	
Linked sub door station		Max. 16	
Linked doorphone		Max. 8	
Protocol		ISAPI, RTSP, STMP, SNMP	
Unlock door	Unlock by presenting cards/ Client Software/ App/ Indoor station		
General			
Protective level		IP 65, IK08	
Indicator		3	
Power supply		IEEE802.3af, standard PoE, 12VDC	
Power consumption		<10W	
Working temperature		-40°C to +53°C (-40° F to +127.4° F)	
Working humidity		10% to 95%	
Power supply method		12 VDC	
Installation		Surface mounting / Flush mounting	
Dimensions		174 x 91 x 29 mm	
Approval			
CE-EMC	a. EN 55032-2015 b. EN 6100-3-2:2014	c. EN 61000-3-3:2013 d. EN 50130-4:2011+A1:2014	
CE-LVD	EN 60950-1:2006 + A11:2009 + A1:2010 + A12:2011 + A2:2013		
CB	IEC 60950-1:2005 (Second Edition) + Am 1:2009 + Am 2:2013		
FCC-SDOC	47 CFR Part 15, Subpart B		
C-TICK(EMC)	AS/NZS CISPR 32:2015		
UL	UL 60950-1 & CAN/CSA C22.2 No. 60950-1-07, Information Technology Equipment - Safety - Part 1 : General Requirements		
ROHS	2011/65/EU		
REACH	Regulation (EC) No 1907/2006		
WEEE	2012/19/EU		

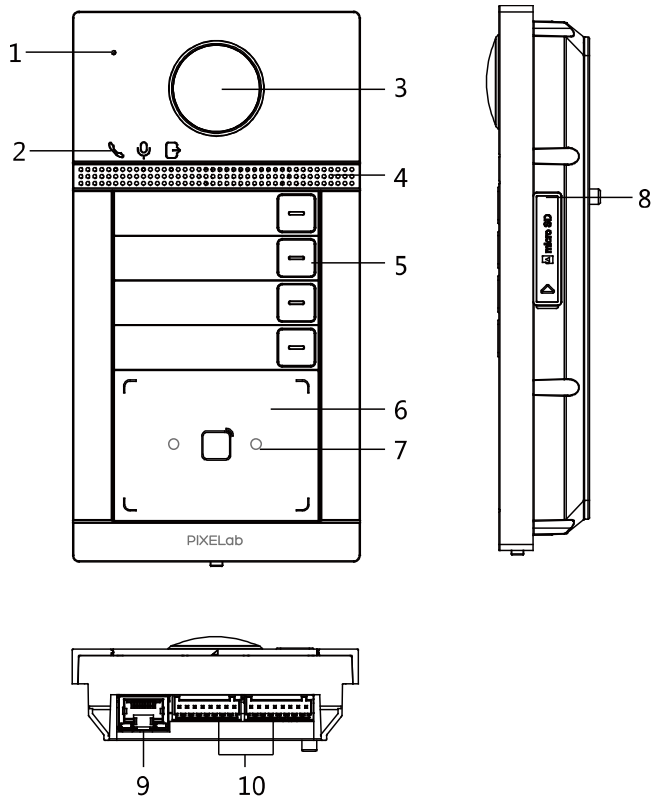
Appearance and Interfaces



VIC201DAW/F



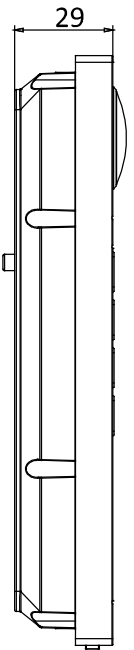
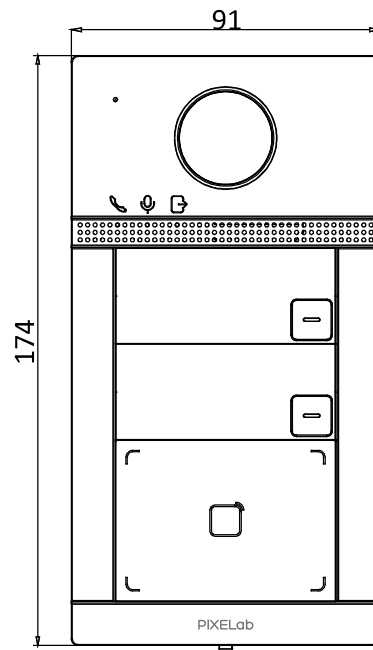
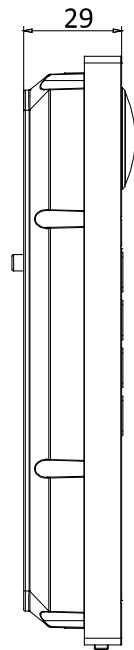
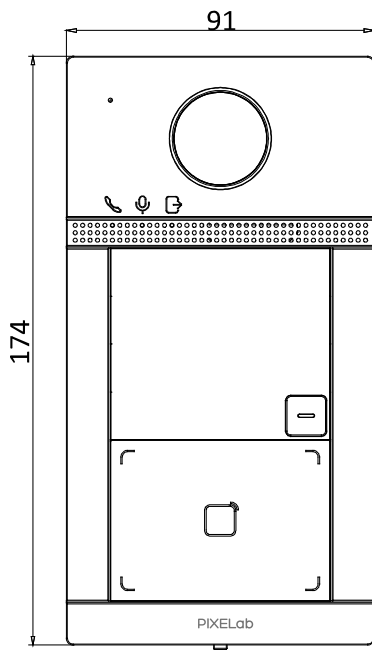
VIC202DAW/F



VIC204DAW/F

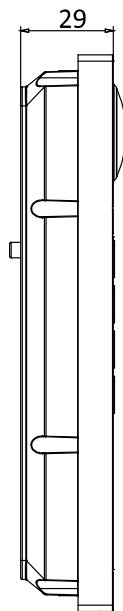
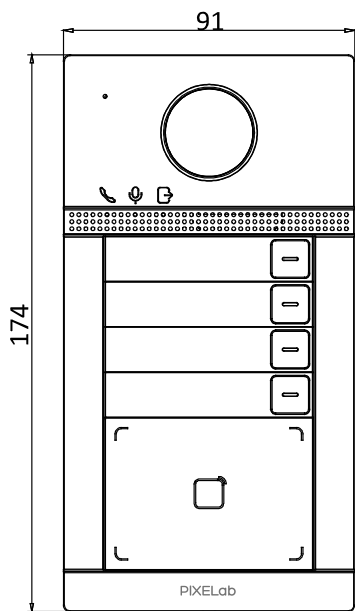
No.	Description	No.	Description
1	Microphone	6	Card Reading Area
2	Indicator	7	IR Light
3	Camera	8	MicroSD Card Slot & Debugging Port
4	Loudspeaker	9	LAN
5	Button	10	Terminals

Dimensions



VIC201DAW/F

VIC202DAW/F



VIC204DAW/F