

VIC2071 / VIC2071W



VIC3071 / VIC3071W



## 7-inch Touch-Screen Indoor Station

- New UI V2.0: User friendly design
- 7-inch colorful touch screen with resolution 1024 x 600
- Standard PoE
- Stores messages and capture pictures in the TF card
- Remote unlocking via the client software or the mobile client
- View live videos of door stations and linked cameras

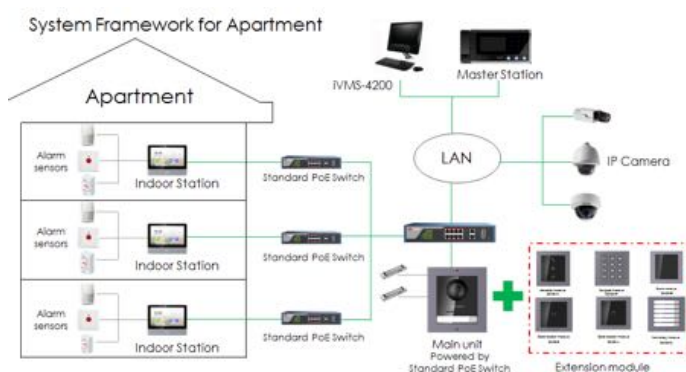
### Only for Model : VIC3071 / VIC3071W

- Premium tempered glass
- Aerospace-grade aluminium
- Reddot Award 2017 Winner
- 8.6 mm ultra slim design

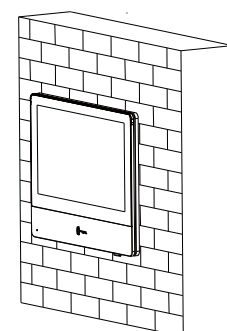
Technical Specifications	VIC2071	VIC2071W	VIC3071	VIC3071W
<b>System Parameters</b>				
Memory			128MB	
Flash			32MB	
Operation system			Embedded Linux operation system	
<b>Display Parameters</b>				
Display screen			7-inch colorful TFT screen	
Display resolution			1024 x 600	
Operation method			Capacitive touch screen	
<b>Audio Parameters</b>				
Audio input			Built-in omnidirectional microphone	
Audio output			Built-in loudspeaker	
Audio compression standard			G.711 U	
Audio compression rate			64 Kbps	
Audio quality			Noise suppression and echo cancellation	
<b>Network Parameters</b>				
Wired network			10/100 Mbps self-adaptive	
Wireless network			Wi-Fi 802.11b/g/n [Only applicable to VIC2071W, VIC3071W]	
Network protocol			TCP/IP, SIP, RTSP	
Network interface			1 RJ-45 10/100 Mbps self-adaptive	

Technical Specifications	VIC2071	VIC2071W	VIC3071	VIC3071W
Alarm input		8-ch alarm inputs		
I/O output		2		
TF card		Max to 32 G, SD 2.0 or lower version		
RJ485		Supported		
Linked IPC		Max. 16		
Linked indoor extensions		Max. 5		
Notices		Max. 200		
Captures		Max. 2M		
<b>General</b>				
Power supply		IEEE802.3af, standard PoE 12 VDC/1A		
Power supply via detector		12 V, 200mA		
Power consumption	—	≤ 6 W		≤ 7 W
Working temperature		-10 °C to 55 °C (14 °F to 131 °F)		
Working humidity		10% to 90%		
Dimensions		200mm x 140mm x 15.1mm (7.9" x 5.51" x 0.6")		180mm x 140mm x 22.4mm (7.09" x 5.51" x 0.88")
Weight	With Packaging	683 g		786 g
	Without Packaging	355 g		600 g
Certification		FCC, IC, CE, C-TICK, ROHS, REACH, WEEE, UL, CB, RCM		
<b>Approval</b>				
CE-EMC	a. EN 55032-2015			c. EN 61000-3-3:2013
	b. EN 6100-3-2:2014			d. EN 50130-4:2011+A1:2014
CE-LVD	EN 60950-1:2006 + A11:2009 + A1:2010 + A12:2011 + A2:2013			
CB	IEC 60950-1:2005 (Second Edition) + Am 1:2009 + Am 2:2013			
FCC-SDOC	47 CFR Part 15, Subpart B			
C-TICK(EMC)	AS/NZS CISPR 32:2015			
UL	UL 60950-1 & CAN/CSA C22.2 No. 60950-1-07, Information Technology Equipment - Safety - Part 1 : General Requirements			
IC(EMC)	ICES-003:Issue 6			
ROHS	2011/65/EU			
REACH	Regulation (EC) No 1907/2006			
WEEE	2012/19/EU			

## Typical Application



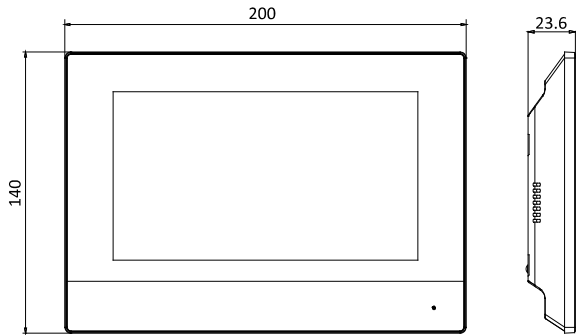
## Installation



Surface Mounting

## VIC2071 / VIC2071W

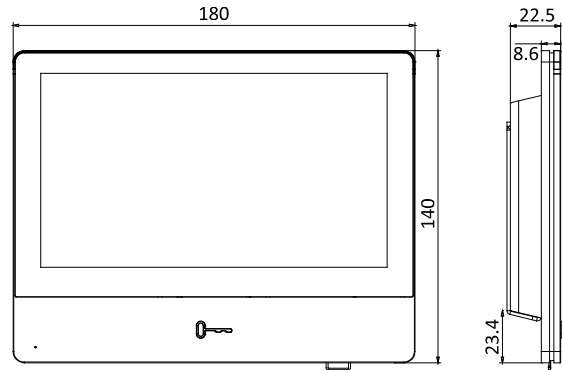
### Dimension



Unit : mm

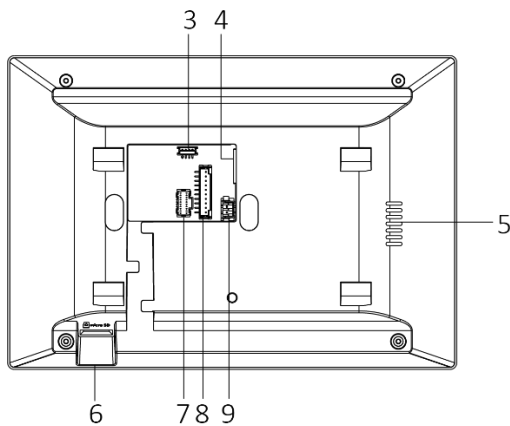
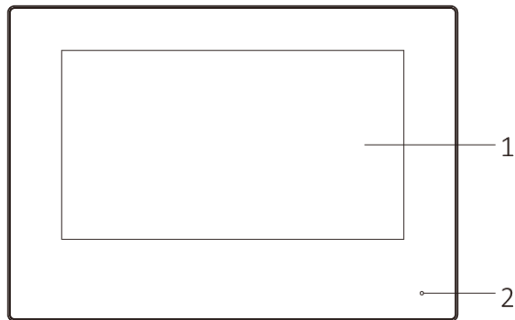
## VIC3071 / VIC3071W

### Dimension

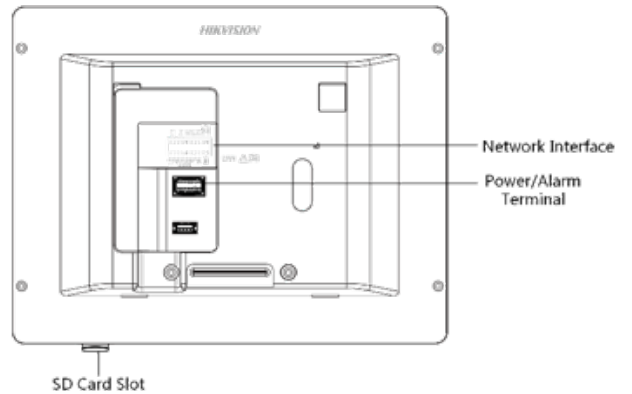
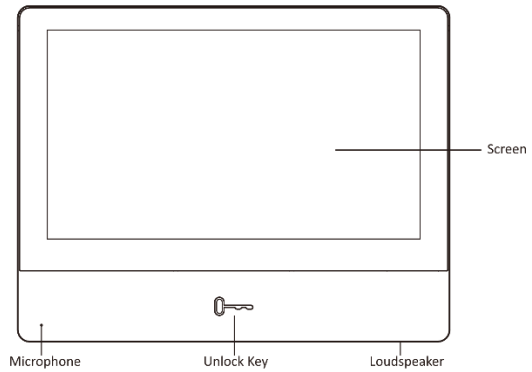


Unit : mm

### Appearance and Interfaces



### Appearance and Interfaces



No.	Description	No.	Description
1	Screen	6	TF Card Slot
2	Microphone	7	Alarm Terminal
3	Debug Port	8	Reserved
4	Network Interface	9	Power Supply
5	Loudspeaker		