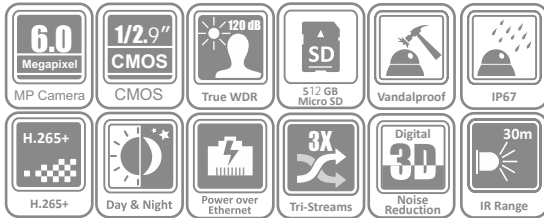
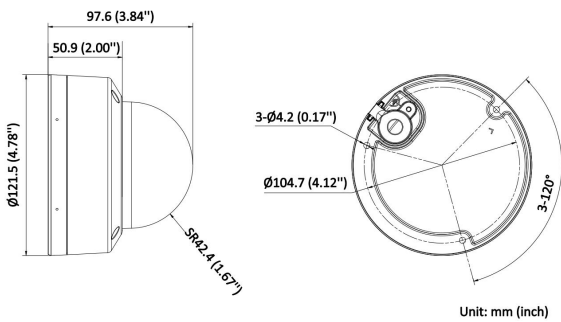


Smart AI



Dimensions



6 MP Smart Hybrid Light Motion 2.0 Motorized Varifocal Dome Network Camera

- High quality imaging with 6 MP resolution, flash 128M/Ram 256M
- Support Human and Vehicle Detection
- Smart Hybrid Light: advanced technology with long range
- Efficient H.265+ compression technology
- Clear imaging against strong back light due to 120 dB WDR technology
- 3D DNR technology delivers clean and sharp images
- Built-in microphone for real-time audio security
- Motorized varifocal lens for easy installation and monitoring
- Support on-board storage up to 512 GB (SD card slot)
- Water and dust resistant (IP67) and vandal proof (IK10)

▪ Accessory

▪ Optional

| Wall Mount | Wall Mount | Pendant Mount |
|--------------|--------------|---------------|
| | | |
| Junction Box | Junction Box | Pendant Mount |
| | | |

▪ Specification

| Camera | |
|-----------------------------|---|
| Image Sensor | 1/2.9" Progressive Scan CMOS |
| Max. Resolution | 3200 × 1800 |
| Min. Illumination | Color: 0.005 Lux @ (F1.4, AGC ON), B/W: 0 Lux with light |
| Shutter Time | 1/3 s to 1/100,000 s |
| Day & Night | IR cut filter |
| Angle Adjustment | Pan: 0° to 353°, tilt: 0° to 75°, rotate: 0° to 350°, ePTZ: zoom digital 48x (4x plug-in IE, 12x |
| Lens | |
| Lens Type | Varifocal lens, motorized lens, 2.8 to 12 mm |
| Focal Length & FOV | 2.8 to 12 mm, horizontal FOV 93° to 32°, vertical FOV 50° to 18°, diagonal FOV 110° to 37° |
| Lens Mount | Ø14 |
| Iris Type | Fixed |
| Aperture | F1.4 ~ F2.8 |
| Depth of Field | Wide: 1 m to ∞ Tele: 4 m to ∞ |
| DORI | |
| DORI | Wide: D: 68.1m, O: 27 m, R: 13.6 m, I: 6.8 m Tele: D: 200 m, O: 79.4 m, R: 40 m, I: 20 m |
| Illuminator | |
| Supplement Light Type | IR, White Light |
| Supplement Light Range | Up to 30 m |
| Smart Supplement Light | Yes |
| IR Wavelength | 850 nm |
| Video | |
| Main Stream | 50 Hz: 20 fps (3200 × 1800, 2688 × 1520, 1920 × 1080, 1280 × 720), 60 Hz: 30 fps (3200 × 1800, 2688 × 1520, 1920 × 1080, 1280 × 720) |
| Sub-Stream | 50 Hz: 20 fps (1280 × 720, 640 × 480, 640 × 360) 60 Hz: 20 fps (1280 × 720, 640 × 480, 640 × 360) |
| Third Stream | 50 Hz: 1 fps (640 × 360) 60 Hz: 1 fps (640 × 360) |
| Video Compression | Main stream: H.265+/H.265/H.264+/H.264, Sub-stream: H.265/H.264/MJPEG, Third stream: H.265/H.264 |
| Video Bit Rate | 32 Kbps to 8 Mbps |
| H.264 Type | Baseline Profile, Main Profile, High Profile |
| H.265 Type | Main Profile |
| Bit Rate Control | CBR, VBR |
| Region of Interest (ROI) | 1 fixed region for main stream and sub-stream |
| Audio | |
| Audio Type | Mono sound |
| Environment Noise Filtering | Yes |
| Audio Sampling Rate | 8 kHz/16 kHz |

| | |
|--------------------------|--|
| Audio Compression | G.711/G.722.1/G.726/MP2L2/PCM/AAC-LC |
| Audio Bit Rate | 64 Kbps (G.711ulaw/G.711alaw)/16 Kbps (G.722.1)/16 Kbps (G.726)/32 to 160 Kbps (MP2L2)/16 to 64 Kbps (AAC-LC) |
| Network | |
| Protocols | TCP/IP, ICMP, DHCP, DNS, HTTP, RTP, RTSP, RTCP, NTP, IGMP, IPv6, UDP, QoS, FTP, SMTP, HTTPS, DDNS, UPnP, 802.1X |
| Security | Password protection, complicated password, HTTPS encryption, 802.1X authentication (EAP-MD5), watermark, basic and digest authentication for HTTP/HTTPS, WSSE and digest authentication for Open Network Video Interface, RTP/RTSP over HTTPS, security audit log, TLS 1.2, TLS 1.3, host authentication (MAC address), Trend Micro IoT Security (brute force attack event, cyberattack event, quarantine event) |
| API | Open Network Video Interface (Profile G, S, T supported), ISAPI, SDK |
| User/Host | Up to 32 users 3 user levels: administrator, operator, and user |
| Client | PIXELA ISM Professional |
| Web Browser | Plug-in required live view: IE 10, IE 11, Local service: Chrome 57.0+, Firefox 52.0+, Edge 89+ |
| Image | |
| Wide Dynamic Range (WDR) | 120 dB |
| SNR | ≥ 68 dB |
| Day/Night Switch | Day, Night, Auto, Schedule |
| Image Enhancement | BLC, HLC, 3D DNR |
| Image Settings | Rotate mode, saturation, brightness, contrast, sharpness, gain, white balance, adjustable by client software or web browser |
| Privacy Mask | 4 programmable polygon privacy masks |
| Interface | |
| Ethernet Interface | 1 RJ45 10 M/100 M self-adaptive Ethernet port |
| On-Board Storage | Built-in memory card slot, support microSD/microSDHC/microSDXC card, up to 512 GB |
| Built-in Microphone | Yes, 1 built-in microphone |
| Audio | 1 input (line in), two-core terminal block, max. input amplitude: 3.3 Vpp, input impedance: 4.7 KΩ, interface type: non-equilibrium, 1 output (line out), two-core terminal block, max. output amplitude: 3.3 Vpp, output impedance: 100 Ω, interface type: non-equilibrium |
| Alarm | 1 input, 1 output (max. 12 VDC, 30 mA) |
| Reset Key | Yes |
| Event | |
| Basic Event | Motion detection (support alarm triggering by specified target types (human and vehicle), video tampering alarm, exception |
| Smart Event | Line crossing detection, intrusion detection |
| Linkage | Upload to FTP/memory card, notify surveillance center, send email, trigger recording, trigger capture, audible warning |
| General | |
| Power | 12 VDC ± 25%, 0.8 A, max. 9.6 W, Ø5.5 mm coaxial power plug, reverse polarity protection, PoE: IEEE 802.3af, Class 3, max. 12 W |
| Approval | EEMC: CE (EN55032, EN55024, EN50121-4), FCC, RCM (AS/NZS CISPR32, VCCI (VCCI-CISPR 32, UL (UL62368-1), CB (IEC/EN 62368-1, IEC/EN 60950-22, IEC/EN62471) |