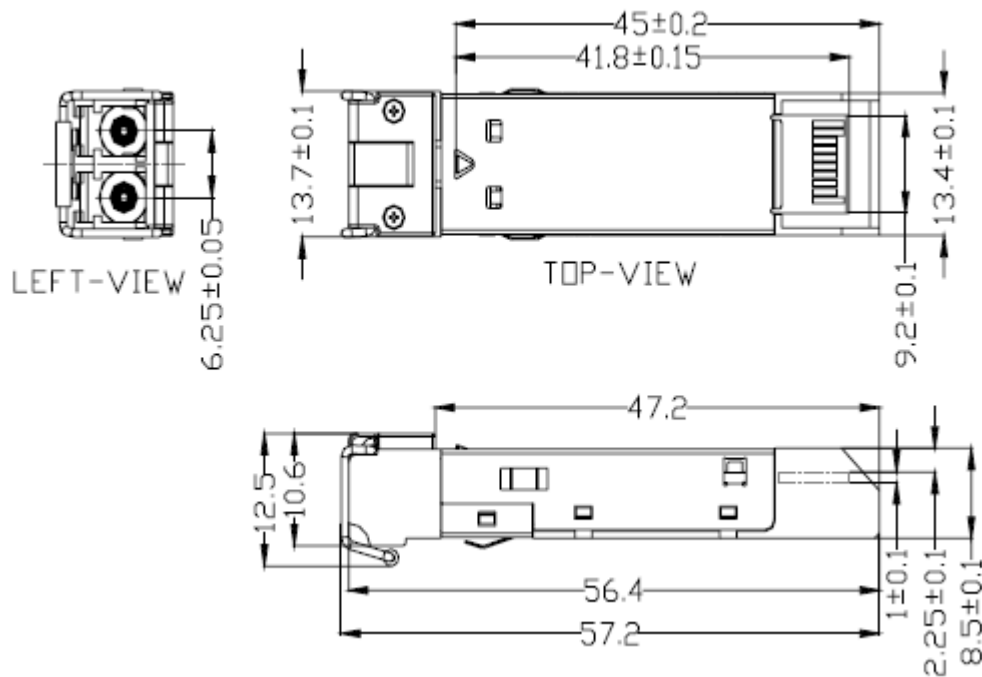


Features and Functions

- Single Power Supply 3.3V
- Small Form Factor Pluggable (SFP) MSA Compatible
- Duplex LC Connector
- Hot Pluggable Capability
- Compliant With ROHS Standard
- Cost effective SFP solution, enables higher port densities and greater bandwidth
- Support 1.25G Ethernet



Mechanical (mm)



Specifications

Item	PXL-SFP-S-20
Fiber type	MMF, duplex fiber, 50/125μm, 62,5/125μm
Connector	LC
Date Rate	1250 Mbps
Connector quantity	2
Distance	0~20km
Wavelength	Tx1310nm/Rx1310nm
TX Power	-6~-1dBm
RX Sens(Max.)	-3~-21dBm
Operating temperature	0~70°C
Storage temperature	-40~85°C
Relative humidity	30~80%
Power supply voltage	DC 3.3V

Typical applications

