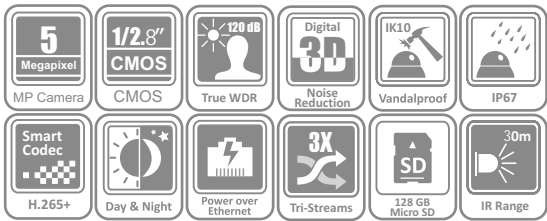


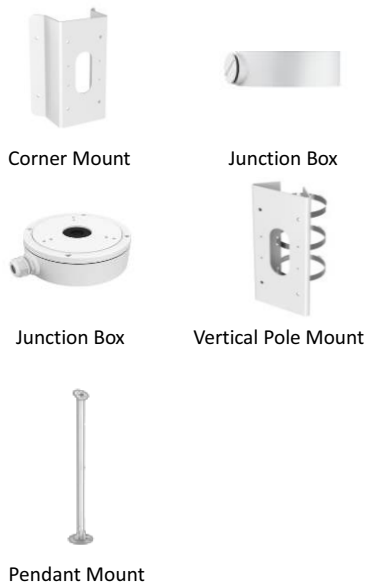
5MP Smart Classification IR Weatherproof IP Camera



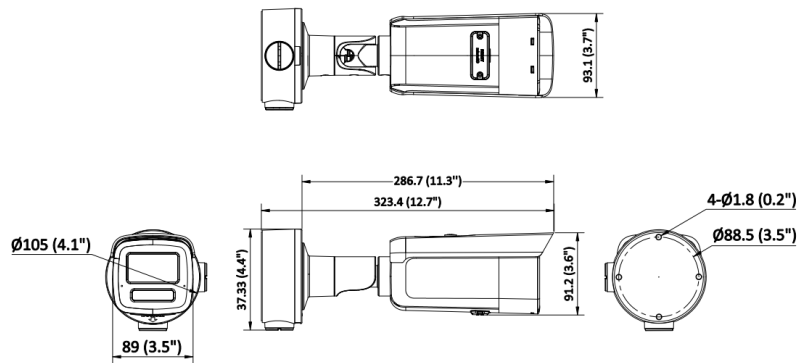
- High quality imaging with 5 MP resolution, flash 8GB/ ram1GB
- Acusense: Focus on human and vehicle classification based on deep learning
- Smart Hybrid Light: Integrates IR and White lights, 3 supplemental lighting modes
- Built-in arrayed dual-microphone for real-time high quality audio security
- Clear imaging against strong back light due to 120 dB true WDR technology
- Efficient H.265+ compression technology
- Water and dust resistant (IP67) and vandal-resistant (IK10)



Accessories



Dimensions



Unit:mm (inch)

Technical Specifications

Camera	
Image Sensor	1/2.8" Progressive Scan CMOS
Max. Resolution	2560 × 1920 @30fps
Min. Illumination	Color: 0.005 lux @ F1.6 (B/W), 0 Lux with light
Shutter Time	1/5 s to 1/32,000 s
Day & Night	IR cut filter
Angle Adjustment	Pan: 0° - 90°, tilt: 0° - 180°, ePTZ: digital zoom 18x (4x plug-in IE, 4.5x)
Lens	
Lens Type	Motorized, Vari-focal, Remote Focus, Fixed focal lens, 2.8 ~ 12 mm optional
Focal Length & FOV	2.8 mm, horizontal FOV 97°, vertical FOV 70°, diagonal FOV 132° 6 mm, horizontal FOV 50.5°, vertical FOV 26.3°, diagonal FOV 59.4° 12 mm, horizontal FOV 29°, vertical FOV 22°, diagonal FOV 34°
Lens Mount	M12
Iris Type	Fixed
Aperture	F1.6 ~ F3.3
Depth of Field	2.8 mm: 1.8 m to ∞ 6 mm: 6.4 m to ∞ 12 mm: 12.6 m to ∞
DORI	
DORI	2.8 mm, D: 76 m, O: 30 m, R: 15 m, I: 7 m 6 mm, D: 165 m, O: 65 m, R: 32 m, I: 16 m 12 mm, D: 274 m, O: 125 m, R: 65 m, I: 28 m
Illuminator	
Supplement Light Type	IR, White Light
Supplement Light Range	up to 30 m
Smart Supplement Light	Yes
IR Wavelength	850 nm
Video	
Main Stream	50 Hz: 25 fps (2560 × 1920, 2688 × 1520, 1920 × 1080, 1280 × 720) 60 Hz: 30 fps (2560 × 1920, 2688 × 1520, 1920 × 1080, 1280 × 720)
Sub-Stream	50 Hz: 25 fps (1280 × 720, 640 × 480, 640 × 360) 60 Hz: 30 fps (1280 × 720, 640 × 480, 640 × 360)
Third Stream	50 Hz: 20 fps (1920 × 1080, 1280 × 720, 640 × 480, 640 × 360) 60 Hz: 20 fps (1920 × 1080, 1280 × 720, 640 × 480, 640 × 360) *Third stream is supported under certain settings.

Fourth Stream	50 Hz: 20 fps (1280 × 720, 640 × 480, 640 × 360) 60 Hz: 20 fps (1280 × 720, 640 × 480, 640 × 360) *Fourth stream is supported under certain settings.
Video Compression	Main stream: H.265/H.264/H.264+/H.265+ Sub-stream: H.265/H.264/MJPEG Third stream: H.265/H.264 Fourth stream: H.265/H.264/MJPEG *Third stream and fourth stream are supported under certain settings.
Video Bit Rate	32 Kbps to 16 Mbps
H.264 Type	Baseline Profile, Main Profile, High Profile
H.265 Type	Main Profile
Scalable Video Coding (SVC)	H.264 and H.265 encoding
Bit Rate Control	CBR, VBR
Region of Interest (ROI)	5 fixed regions for main stream and sub-stream
Target Cropping	Yes
Audio	
Audio Compression	G.711/G.722.1/G.726/MP2L2/PCM/MP3/AAC-LC
Audio Bit Rate	64 Kbps (G.711ulaw/G.711alaw)/16 Kbps (G.722.1)/16 Kbps (G.726)/32 to 192 Kbps (MP2L2)/8 to 320 Kbps (MP3)/16 to 64 Kbps (AAC-LC)
Audio Sampling Rate	8 kHz/16 kHz/32 kHz/48 kHz
Environment Noise Filtering	Yes
Network	
Protocols	TCP/IP, ICMP, HTTP, HTTPS, FTP, DHCP, DNS, DDNS, RTP, RTSP, RTCP, ARP, NTP, UPnP,SMTP, IGMP, 802.1X, QoS, IPv4, IPv6, UDP, Bonjour, SSL/TLS, CIFS/SMB, PPPoE, SNMP,WebSocket
Simultaneous Live View	Up to 32 channels
API	ONVIF (Profile S, Profile G, Profile T), ISAPI, SDK, ISUP
Security	Access list, CSRF protection, digest authentication, HTTPS , IEEE 802.1x, Password protection, secure boot, signed firmware, PIXELAB ISM Professional, user access log, user account management
User/Host	Up to 32 users 3 user levels: administrator, operator, and user
Network Storage	NAS (NFS, SMB/CIFS), Auto Network Replenishment (ANR), Together with high-end memory card, memory card encryption and health detection are supported.
Client	PIXELAB ISM Professional
Web Browser	Plug-in required live view: IE 11 Plug-in free live view: Chrome 80+, Firefox 80+, Edge 89+, Safari 13+ Local service: Chrome 80+, Firefox 80+, Edge 89+, Safari 13+
Image	
Image Parameters Switch	Yes
Day/Night Switch	Day, Night, Auto, Schedule
Wide Dynamic Range (WDR)	120 dB
SNR	61 dB

Image Enhancement	BLC, HLC, 3D DNR
Privacy Mask	8 programmable polygon privacy masks
Interface	
Ethernet Interface	1 RJ45 10 M/100 M self-adaptive Ethernet port
On-Board Storage	Built-in memory card slot, support microSD/microSDHC/microSDXC card, up to 512 GB
Alarm	1 input, 1 output (max. 12 VDC, 30 mA)
Reset Key	Yes
Audio	Built-in Microphone: Arrayed dual-microphone, 1 input (line in), two-core terminal block, max. input amplitude: 3.3 Vpp, input impedance: 4.7 K Ω , interface type: non-equilibrium, 1 output (line out), two-core terminal block, max. output amplitude: 3.3 Vpp, output impedance: 100 Ω , interface type: non-equilibrium
Event	
Basic Event	Motion detection (support alarm triggering by specified target types (human and vehicle)), video tampering alarm, exception
Smart Event	Motion video window detection, person detection, vehicle detection, time filtering
Linkage	Upload to FTP/NAS/memory card, notify surveillance center, send email, trigger alarm output, trigger recording, trigger capture
Deep Learning Function	
Face Capture	Yes
Perimeter Protection	Line crossing, intrusion, region entrance, region exiting Support alarm triggering by specified target types (human and vehicle)
General	
Power	12 VDC \pm 25%, 0.87 A, max. 10.5 W, \varnothing 5.5 mm coaxial power plug, reverse polarity protection PoE: IEEE 802.3af, Class 3, max.12 W
Approval	EEMC: CE (EN55032, EN55024, EN50121- 4), FCC, RCM (AS/NZS CISPR32, VCCI (VCCI-CISPR 32), UL (UL62368-1), CB (IEC/EN 62368-1, IEC/EN 60950-22, IEC/EN 62471) IA: BIS (IS 13252):BSMI; Environment: IK10 (IEC 62262), IP66 (IEC 60529); NDAA.
Material	Metal
Dimension	89 mm \times 93.1 mm \times 325.7 mm (3.5" \times 3.7" \times 12.8")
Package Dimension	386 mm \times 156 mm \times 155 mm (15.2" \times 6.1" \times 6.1")
Weight	Approx. 1215 g (2.7 lb.)
With Package Weight	Approx. 1890 g (4.2 lb.)
Storage Conditions	-40 $^{\circ}$ C to 60 $^{\circ}$ C . Humidity 95% or less (non-condensing)
Startup and Operating Conditions	-40 $^{\circ}$ C to 60 $^{\circ}$ C . Humidity 95% or less (non-condensing)
Language	33 languages: English, Russian, Estonian, Bulgarian, Hungarian, Greek, German, Italian, Czech, Slovak, French, Polish, Dutch, Portuguese, Spanish, Romanian, Danish, Swedish, Norwegian, Finnish, Croatian, Slovenian, Serbian, Turkish, Korean, Traditional Chinese, Thai, Vietnamese, Japanese, Latvian, Lithuanian, Portuguese (Brazil), Ukrainian
General Function	Heartbeat, mirror, flash log, password reset via email, pixel counter, anti-banding