



4G Dual-lens ANPR Portable Speed Dome Kit

MSO240IR-CB is a high-definition integrated portable IR speed dome embedded with audio encoding/decoding, video encoding/decoding, 3G/4G, Wi-Fi, and satellite positioning. Widely used in road control. Support face and License plate capture.

Key features:

- Support for dual cameras, Lens1: 1/1.8" progressive scan CMOS; Lens2: 1/1.8" CMOS
- 36× optical zoom, 12× digital zoom
- 3D DNR/Defog/EIS
- Up to 100 m IR distance
- Quick installation with the magnetic base and the tripod bracket
- Replaceable battery for sustainable work
- 360° endless pan and -20° to 90° (auto-flip) tilt movement range for PTZ
- Embedded screen for status display, e.g. battery, GPS, 3G/4G, record status, storage capacity, Bluetooth, platform access, Wi-Fi, and smart algorithm mode
- Supports accessing via IE browser and client, and remote operation

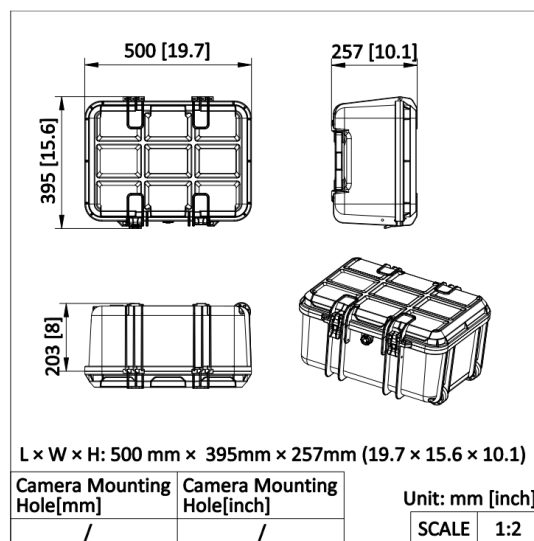
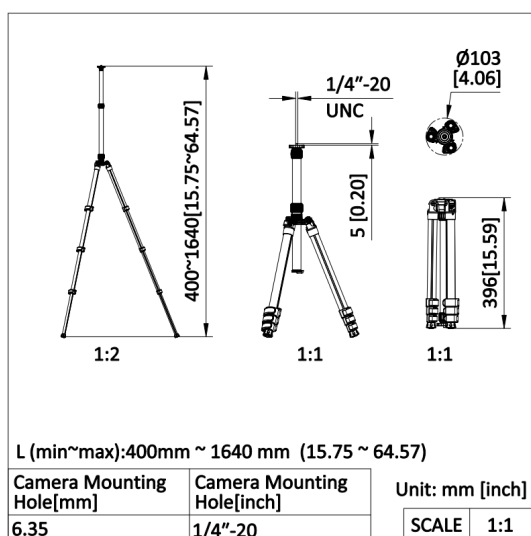
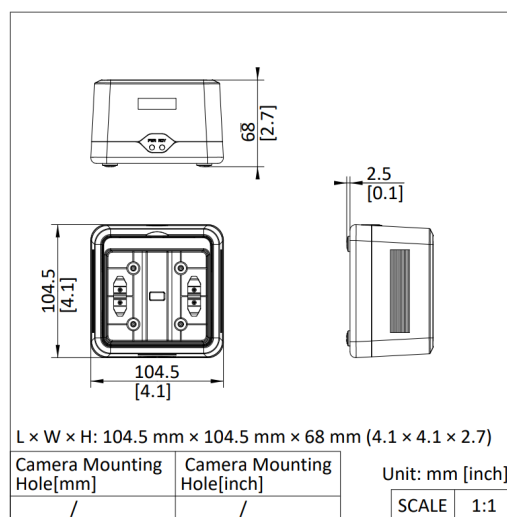
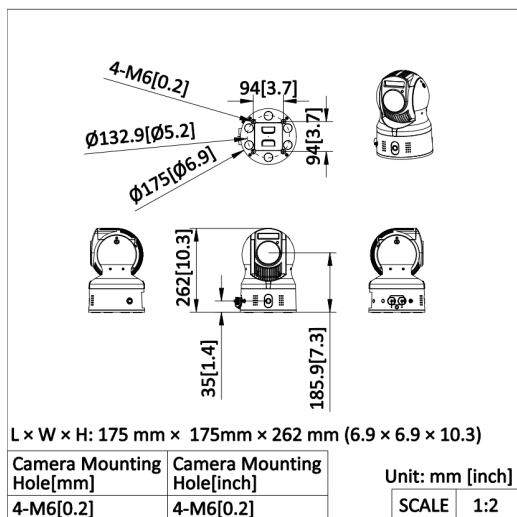
▪ Specification

Camera	
Image Sensor	Lens 1: 1/1.8" progressive scan CMOS Lens 2: 1/1.8" progressive scan CMOS
Zoom	36× Optical, 12× Digital
Max. Resolution	3840 × 2160
Min. Illumination	Lens 1: chromatic: 0.005 Lux @ (F1.3, AGC ON); monochrome: 0.0005 Lux @ (F1.3, AGC ON) Lens 2: chromatic: 0.02 Lux @ (F1.7, AGC ON); monochrome: 0.02 Lux @ (F1.7, AGC ON)
Day & Night	Switch IR Cut Filter Automatically
Optical Image Stabilization	Supported
Lens	
Focal Length	Lens 1: 6 to 216 mm Lens 2: 2.8 mm fixed lens
Aperture	Lens 1: F1.3 - F4.6 Lens 2: F1.7
FOV	Lens 1: Horizontal FOV: 59° to 2.0°, Vertical FOV: 34.2° to 1.1°, Diagonal FOV: 67.1° to 2.3° Lens 2: Horizontal FOV: 102°, Vertical FOV: 56°, Diagonal FOV: 123°
Zoom Speed	Approx. 4.6 s (optical lens, wide-tele)
Event	
Smart Event	Vehicle recognition, face recognition, helmet detection, phone call, work wear detection, smoking detection, area invasion, intrusion detection (supports 4 areas)
License Plate Recognition	Supported
Video	
Video Compression	H.264, H.265, MJPEG
Video Format	PS
Main Stream	Lens 1: 60 Hz: 30 fps (2688 × 1520, 1920 × 1080, 1280 × 720, 720 × 576) Lens 2: 60 Hz; 30 fps (3840 × 2160, 3072 × 1728, 704 × 240, 352 × 240)
Sub Stream	Lens 1: 60 Hz: 12fps (1920 × 1080); 30 fps (1280 × 720, 704 × 480, 704 × 240, 352 × 240) Lens 2: 60 Hz; 30 fps (1280 × 720, 704 × 240, 352 × 240)
Audio	
Audio Compression	G.711ulaw, G.711alaw, G.722.1
Audio Bit Rate	64 Kbps (G.711ulaw/G.711alaw), 16 Kbps (G.722.1)
Image	
Wide Dynamic Range (WDR)	120 dB
Image Enhancement	3D DNR, Defog, EIS
Image Format	JPEG
Screen	
Screen Type	LCD
Touchscreen	Supported
Screen Size	2.0"
Resolution	320 × 240

Storage	
RAM	2 GB
ROM	4 GB
IR	
IR Range	Up to 100 m
IR Wavelength	850 nm
Wireless Network	
Positioning Mode	GPS
Wi-Fi Frequency Band	2.412 to 2.472 GHz, 5.15 to 5.25 GHz, 5.725 to 5.875 GHz
Bluetooth	BT 4.0
Cellular Network	Available for models with '/GLE': GSM: 850/900/1800 WCDMA: B1/B5/B8 FDD-LTE: B1/B3/B5/B7/B8/B20 TDD-LTE: B38/B40/B41
Wi-Fi Protocol	802.11 a/b/g/n/ac
Network	
Protocol	HTTPS, RTSP, NTP, FTP
API	ONVIF (PROFILE S, PROFILE G, PROFILE T), ISAPI, SDK, ISUP
Interface	
Indicator	1 status indicator: charging/power on/power off
Button	Power on/off
SIM Card	Available for models with '/GLE': 1 (Micro-SIM)
Ethernet	1 RJ45 10M/100M/1000M self-adaptive Ethernet port(s)
Aviation Plug	10-Core Aviation Plug: supporting RS-232, RJ45 and power input 9-Core Aviation Plug: supporting RS-485, LINE IN/LINE OUT, 5 V output, Alarm I/O
Extended Storage	Built-in 2 memory card slots, supporting TF card, up to 256 GB for each
PTZ	
Preset	256 arming locations
Movement Range (Pan)	360° endless
Movement Range (Tilt)	-20° to 90° (Auto-flip)
Patrol Scan	8 Patrols
General	
Operating Condition	-20 °C to 60 °C (-4 °F to 140 °F). Humidity 95% or less (non-condensing)
Operating System	Linux
Storage Condition	-30 °C to 70 °C (-22 °F to 158 °F). Humidity 95% or less (non-condensing)
Light Sensor	Supported
MIC	Supported
Speaker	2 Built-in speakers, Max. power consumption: 2.5 W, Max. sound pressure level: 102 dB (10 cm)
Web Browser	Plug-in required live view: IE 10+
Dimension	Kit: 500 mm × 395 mm × 257 mm (19.7" × 15.6" × 10.1")
Weight	11.75 kg (25.9 lb.)
Power	12 VDC, 5.0 A, max. 60 W
Installation Method	Wall-Mounted, Tripod-Mounted, Movable Bracket
Client	ISM-Professional-M

Packing List	1 × AC power cord
	1 × 345 cm Composite cable
	1 × Lithium-ion battery
	1 × Mounting support plate for tripod
	1 × Safety rope
	1 × C92-screwdriver
	1 × 500 × 395 × 257 mm portable plastic box
	1 × Battery Charger MSO-AC-C02
	1 × tripod MSO-AC-TP
Battery	
Battery Type	Lithium-ion battery, dismantable
Capacity	13400 mAh
Charging Time	≤ 4 h
Battery Life	Up to 9h in 4MP resolution ¹

Dimension





Feature

- Portable PTZ dome battery charger
- Easy to carry

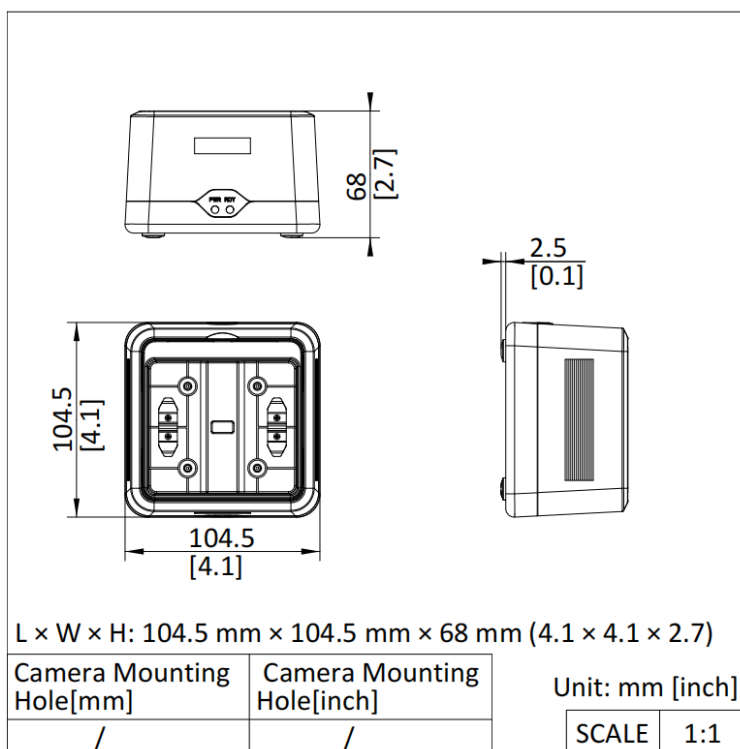
Application

Design for charging portable PTZ dome battery

Specification

General	
Indicator	Charging indicator, working indicator
Power Supply Mode	External power supply
General	
Power	12 VDC, 5.0 A, max. 60 W
Operating Condition	-0 °C to 45 °C (32 °F to 113 °F). Humidity 95% or less (non-condensing)
Dimension	104.5 mm × 104.5 mm × 68 mm (4.1" × 4.1" × 2.7")
Weight	160 g (0.35 lb.)

Dimension



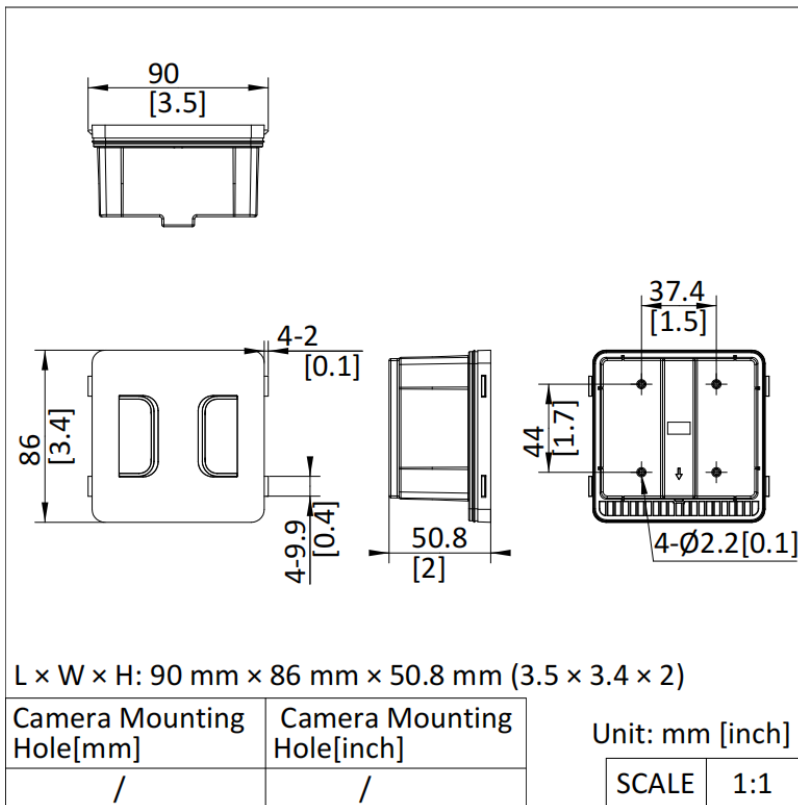


Portable PTZ Dome Battery

▪ Specification

Battery	
Capacity	13400 mAh
Battery Type	Lithium ion battery
Charging Time	< 4 h

Dimension





Portable PTZ Dome Tripod

▪ Specification

General	
Material	aluminium + ABS
Weight	1160 g (2.56 lb)
Max. Diameter	26.8 mm (1.06 inch)
Min. Diameter	16.5 mm (0.661 inch)
Max. Height	1640 mm (64.57 inch)
Min. Height	400 mm (15.75 inch)
Max. Load	10 kg (22.05 lb)

Dimension

