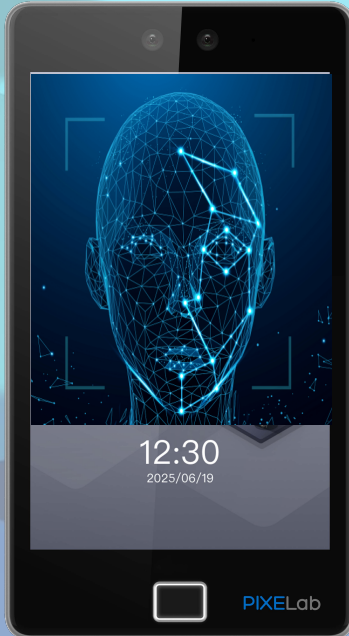




RCT-08100DFG

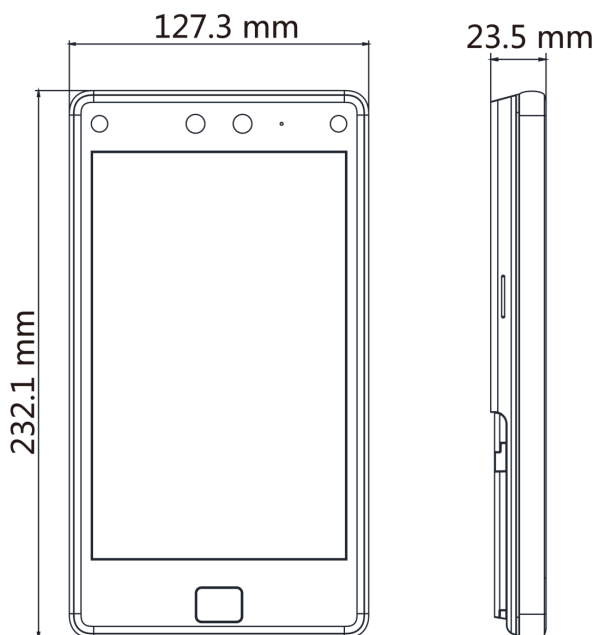
Facial Recognition Terminal



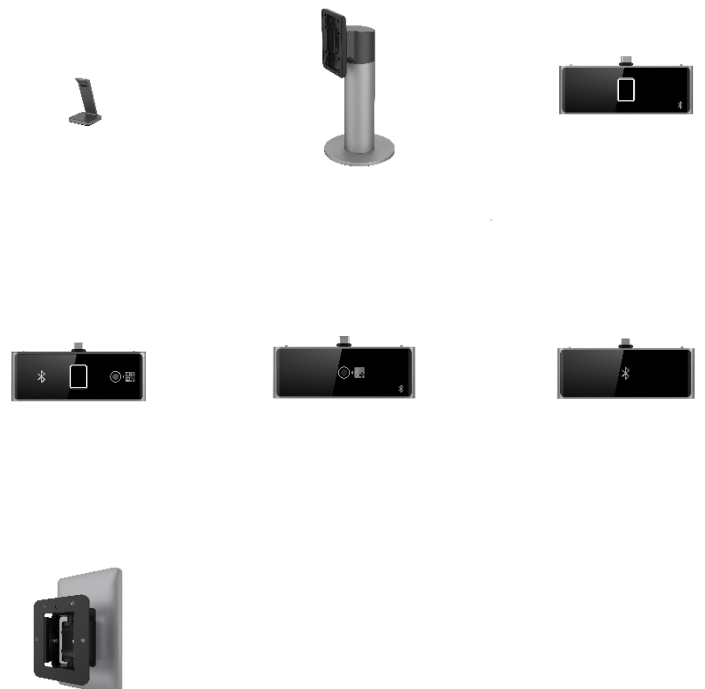
- 8-inch touch screen with bezel-less design
- Presents card on the screen to authenticate
- Face recognition distance: 0.3 m to 3 m, duration < 0.2 s/ User, accuracy rate ≥ 99%
- 100,000 face capacity, 100,000 card capacity (Felica, DESfire, M1), 10,000 fingerprint capacity, and 150,000 event capacity
- Supports ISAPI, ISUP 5.0, Wiegand, RS-485, TCP/IP, 3G/4G
- Two-way audio with indoor station and master station
- Configuration via the web client and mobile client
- Customizes attendance status name

Biometric recognition products are not 100% applicable to anti-spoofing environments. If you require a higher security level, use multiple authentication modes.

Dimensions



Accessories



▪ Specification

Display	
Screen size	8 inch
Operation method	Capacitive touch screen
Type	LCD
Video	
Lens	2
Resolution	2 MP
FOV	HFOV = 88°; VFOV = 44°; DFOV = 108°
Network	
Wired network	Support
Interface	
Network interface	1 RJ-45, 10/100/1000 M self-adaptive
Lock control	1
Exit button	1
Door contact input	1
Alarm input	2
Alarm output	1
TAMPER	1
RS-485	1 RS-485 (Half duplex, HIKVISION)
Wiegand	1 Wiegand(Hik 26bit,Hik 34bit)
USB	1
Authentication	
Card type	DESfire card,Felica card
General	
Power supply	12 VDC to 24 VDC, 3 A
Working temperature	-30 °C to 60 °C (-22 °F to 140 °F)
Working humidity	0 to 90% (No condensing)
Protective level	IP65
Dimensions	127.3 mm × 232.1 mm × 23.5 mm (5.0" × 9.1" × 0.9")
Function	
Hik-Connect	Support
Language	English, Thai, Brazilian Portuguese, Russian, Spanish, Arabic, Japanese, Ukrainian, and Indonesian
Two-way audio	Two-way audio with indoor station and master station
QR code recognition	Support. The dimension of the recognized QR code picture should be larger than 6 cm × 6 cm.
Face anti-spoofing	Support